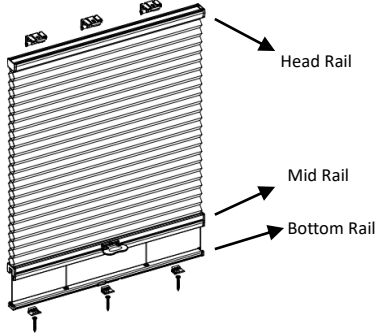


**Read the instruction before operating your shade**

**Installation & Maintenance Instructions  
Honeycomb Shade  
SmartFit™ for Sloped Window**



**Getting Started**



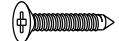
Remove the shade from the package. Save the packaging until the shade is installed and working to your satisfaction.

**Recommended Tools**

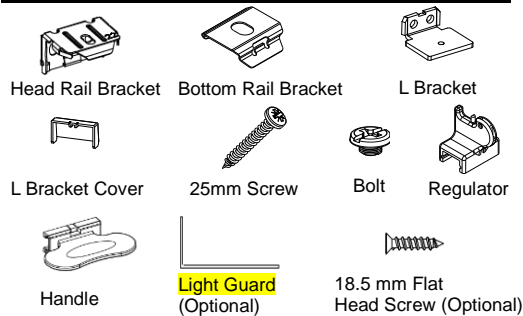
- Power drill and drill bit
- Measuring tape
- Screwdriver
- Level
- Pencil
- Regulator (Provided)



You will need to use the following fasteners for your particular mounting surfaces:

Surface	Fastener
Wood	M3.5x25mm Screws (Provided) 
Drywall/Plaster	Wall Anchors, Expansion Bolts (Not Provided) 
Metal	Sheet Metal Screws (Not Provided) 

**Check Hardware**

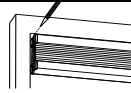


**Step1: Prepare the Shade for Installation**

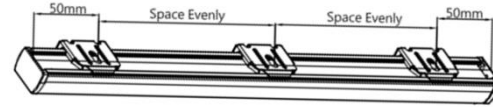
Carefully unwind the cord and steel wire in the opposite tied direction. Remove the cardboard and PE bag. Refer to model diagrams for proper installation.

**Step2: Bracket Installation**

Place the shade in the desired position and mark the ends of the shade.



**Head Rail:** Install the brackets at their respective distance from the end of the rail. When there are more than two brackets, the distance between brackets should be equal.



Brackets Distribution of Head Rail

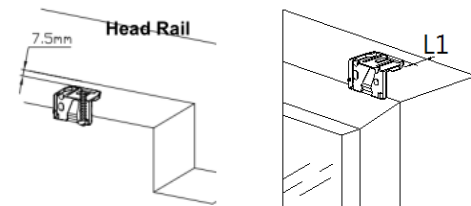
**Bottom Rail:** Two brackets on each end with 25mm distance to the edge of the bottom rail. If there are five brackets, the fifth bracket should be positioned in the middle of the rail. The rest of brackets should be spaced evenly.



Brackets Distribution of Bottom Rail

**Inside Mount**

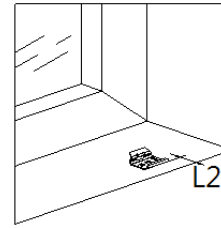
The distance between bracket screw hole and the edge of the window frame should be at least 7.5mm for head rail. Allocate a minimum distance 8mm (L1) from wall to the front of head rail bracket



Distance	Application Condition
L1 ≥ 8mm	•With or without light guard

The distance between bracket screw hole and the edge of the window frame should be at least 12mm for bottom rail. Allocate a minimum distance 12mm (L2) from wall to the front of bottom rail bracket

Mount the brackets with M3.5x25mm screw, do not over tighten the bracket of the Bottom Rail.

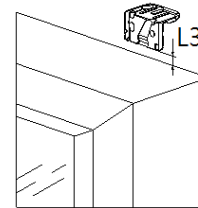


Distance	Application Condition
L2 ≥ 12mm	•With or without light guard front and back

\*The minimum distance from wall to the front of bottom rail bracket (L2) subtracts minimum distance from wall to the front of head rail bracket (L1) must equal 4mm.

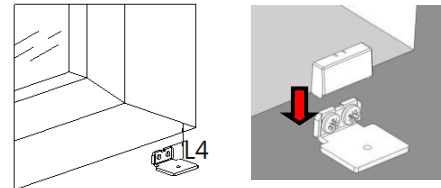
**Outside Mount**

**For Head rail:** Allocate a minimum distance (L3) ≥ 7mm from wall to the bottom of head rail bracket. Mount brackets with 1pc 3.5x25mm installation screw and align them horizontally.

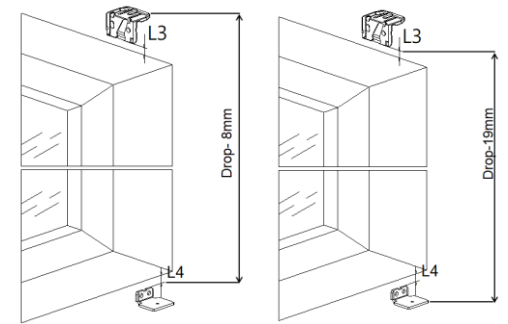


**For Bottom rail:** Mark the position for L bracket. The distance between the bottom of L bracket and the wall should be ≥ 12 mm (L4).

Mount L bracket with 2pcs M3.5x25mm installation screw. Attach the L bracket cover.



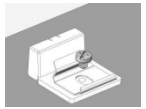
Meanwhile, it is also essential to assure the distance between the top / bottom of the shade to the edge of bottom / top of the bracket equals designated value, please refer to pictures below.



Top of the shade to the edge of bottom of the L bracket equals shade drop - 8mm

Bottom of the shade to the edge of top of the L bracket equals shade drop - 19mm

Mount the bottom rail bracket onto the L bracket with 1pc bolt.



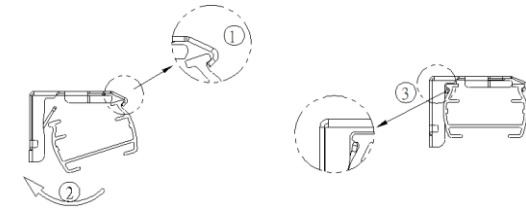
Recommendation: avoid gypsum board surface.

**Step3: Install the Shade**

- Position the shade so that the front is facing you.
- Insert the rail with an angle facing the window; hooking up with the bracket front side, and then push it upward to snap into the bracket.



- For proper installation, start with attaching the head rail to the bracket



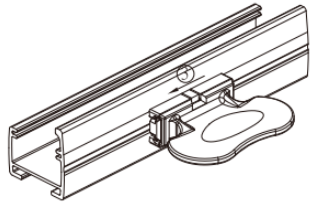
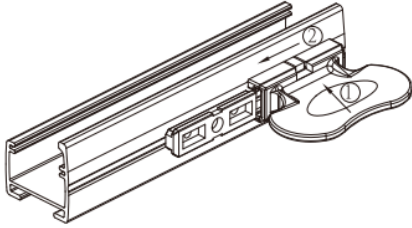
Head Rail



Bottom Rail

#### Step4: Handle Installation

Attach the handle to the handle support pre-attached on the rail then slide against the handle support to the left until the handle can't move anymore.

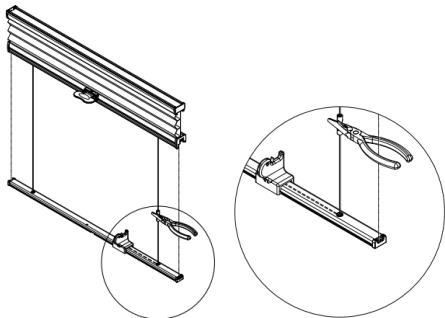
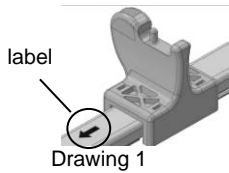


#### Step5: Adjust the Steel Wire

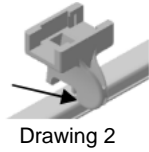
After the installation, tighten the steel wire by sliding the regulator towards the direction as shown on label in Drawing 1.

For easier tightening the steel wire, it is suggested to use a plier to pull the steel wire towards the bottom rail, and then adjust the regulator pin to tighten the steel wire.

**Note: Put a cloth between the plier and steel wire in case the steel wire breaks.**



To loosen the steel wire, place the regulator pin on the bottom rail and press down-as shown in Drawing 2

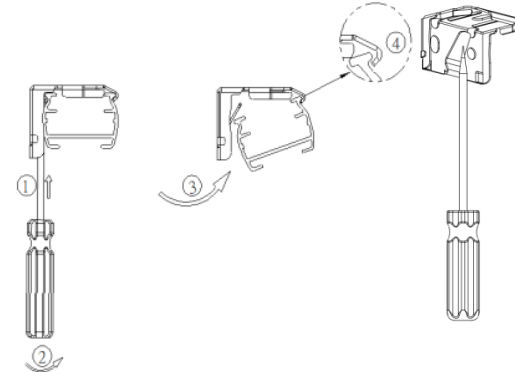


#### Step6: Adjust the Shade

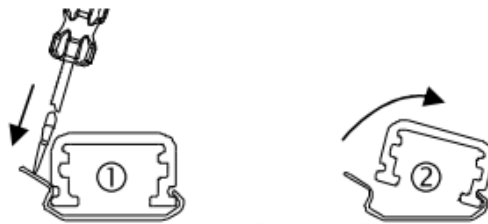
After the shade is completely installed, use the handle to operate the shade to the top/bottom and adjust the shade to level. Then you may operate the shade to any desired position.

#### Step7: Remove the Shade

Fully raise the shade. Insert screwdriver into the gap between the back of the rail and the bracket. Gently maneuver the screwdriver toward yourself to pry the bracket.



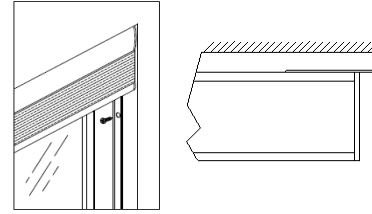
Head Rail



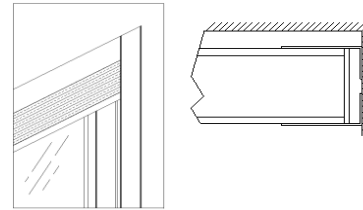
Bottom Rail

#### Step 8: Install Light Guard (Optional for IM)

Please install the light guard after installation of the shade is completed.



With light guard at back

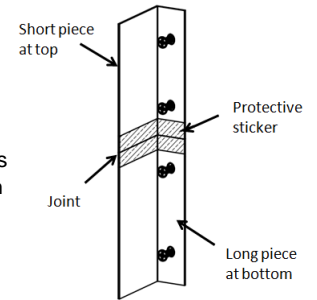


With light guard at front and back

Light guard length (L)	Short piece Light Guard Length	Long piece Light Guard Length
2438mm < L ≤ 3048mm	610mm	L-610mm
L > 3048mm	L-2438mm	2438mm

When light guard sliced into 2pcs, firstly paste the longer piece of light guard vertically towards the bottom window frame, and paste the shorter piece of light guard above the longer one, the edges must be carefully aligned.

To avoid the edges from scraping the fabric, use the protective sticker to completely cover the joint of the two pieces of light guard on both front and back sides of light guard as diagram on the right.



#### Cleaning Instructions

Routine cleaning will help maintain the beauty of your shade. The shade can be cleaned by using a soft brush, vacuumed with a low suction hand-held vacuum, cleaned ultrasonically (specify that a mild solution must be used and that the head rail should never be immersed in liquid), or dampen a clean cloth with a warm water and mild detergent solution to dab the spot until it's gone (do not rub!).

a. The light guard is to be placed at back or front of the shade at left & right side.

Place the light guard vertically towards the bottom window frame. To avoid scraping, leave a 2mm gap between fabric stack and light guard. And then mark out the location with a pencil.

Remove the double sided tapes on the narrow side of the light guard and carefully paste the light guard to the window frame in position.

b. For better fixing the light guard to the window, use 18.5mm flat head screw to secure the light guard through the pre-drilled hole.



c. When light guard length (L) > 2438mm, light guard will be sliced into 2 pieces. There are two conditions as listed below.