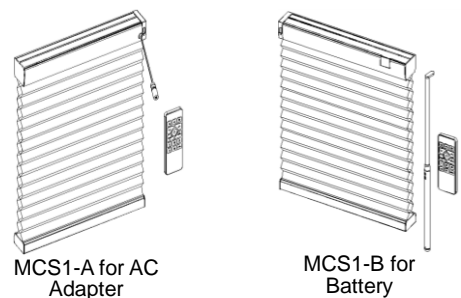


Read the instruction before installing your shade

IMPORTANT SAFETY INSTRUCTIONS

- WARNING!** Important safety instruction: It is critical for your safety and the safety of those around you to follow these instructions. Save these instructions.
- WARNING!** The device shall be disconnected from its power source during cleaning, maintenance and when replacing parts.
- Please recharge the batteries every 3-6 months to ensure optimal performance of batteries.
- Product operation is intended for temperatures between 0°C ~40°C.
- Limited warranty will be voided if the product is modified, dismantled or used in any manner other than its intended purpose.
- The products may contain Lithium-ion batteries; the battery contains flammable materials such as organic solvents. Please read the Important Safety Precautions before using the product.
- The accessories, including PowerBar, Remote, are designed to be used with our Motorised Shades. Do NOT use them for any other purpose.
- Please make sure the shade route is clear when operating to avoid danger or damage.
- WARNING!** For the purposes of recharging the battery, only use the detachable supply unit provided with this appliance. (UHVUA3036-240015SA)
- Do NOT disassemble the products or any of their components. They do not contain serviceable parts. Servicing of these products should be referred to qualified personnel.
- This appliance contains batteries that are only replaceable by skilled personnel, trained Norman retailer or electrician.
- Do NOT operate the product with wet hands to avoid risk of electrical shock. The product needs to be powered off and disconnected from its power source during cleaning, maintenance and/or replacing parts.
- Do NOT operate the shade or swing the PowerBar while charging.
- Do NOT allow children to play with the control device of the internal blind. Keep remote controls away from children.
- Frequently examine the installation for signs of wear or damage to cables. Do not use if repair is necessary.
- Do NOT operate when maintenance, such as window cleaning, is being carried out in the vicinity.
- The product is not to be used by persons such as children, those with reduced physical, sensory or mental capabilities, or those who lack experience and knowledge of the product, unless they have been given supervision or instruction. Children should be advised not to play with the products.
- For internal blinds, which can be operated from a position without the internal blind in view, the user shall take appropriate organisational measures for preventing operation of the internal blind when maintenance, such as window or wall cleaning, is being carried out in the vicinity.
- WARNING!** Important safety instructions. Follow all instructions since incorrect installation can lead to severe injury. Before installing the device, remove any unnecessary cords or components and disable any equipment not needed for powered operation.
- WARNING!** The installation height will vary according to product type or installation situation and may exceed 2.5m.

Installation & Maintenance Instructions Honeycomb Shade Motorised Cordless



NO.	Item	Specification
1	Power Source	MCS1-A: AC Adapter MCS1-B: Li-ion Battery
2	Input	MCS1-A: 100-240V, 50/60 Hz MCS1-B: 24V, 1.5A Max
3	Output	MCS1-A: 24V, 1.32A Max. MCS1-B: 10.89V, 1.65A Max.
4	Radio type	2.4G RF
5	Motor type	Brush DC motor
6	Charging type	Cordless PowerBar PB-01S Corded PowerBar PB-02
7	Charging Time	< 2 hours
8	Charging Temperature	5°C ~ 35°C
9	Operating Temperature	0°C ~ 40°C
10	Relative Humidity	0% ~ 90% (non-condensing)

EIRP: 1.95dBm
Ave. Sound Level @1m: ≤ 50 dBA

Getting Started

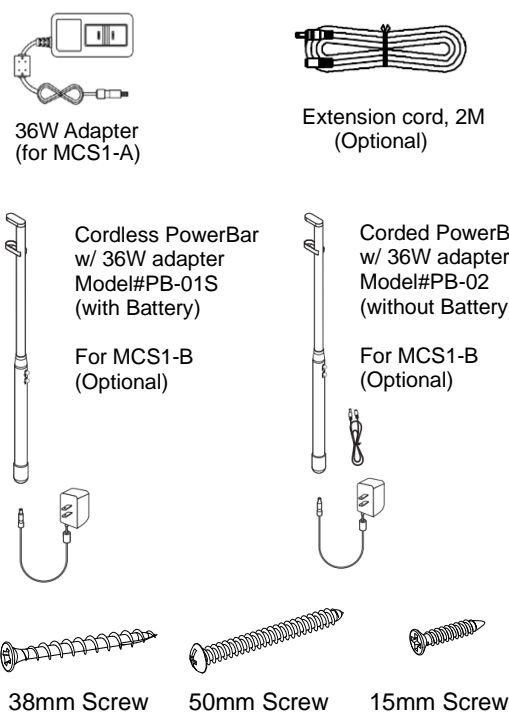
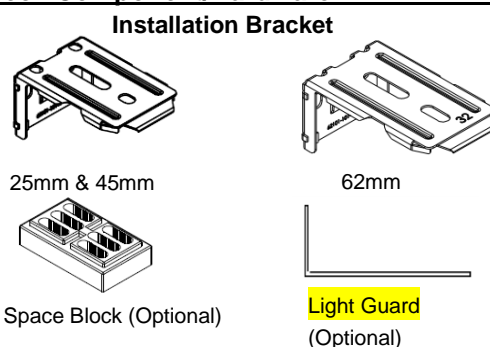
Remove shade from package. Save packaging until shade is installed and working to your satisfaction.

Tools:

- Level
 - Measuring Tape
 - Pencil
 - Power drill (6mm hex driver or cross-head driver and drill bit)
 - Screwdriver
- You will need to use the following fasteners for your particular mounting surface.

Surface	Fastener
Wood	Screws (Provide)
Drywall/Plaster	Wall Anchors, Expansion Bolts (Not Provide)
Metal	Sheet Metal Screws (Not Provide)

Check Component/Hardware:

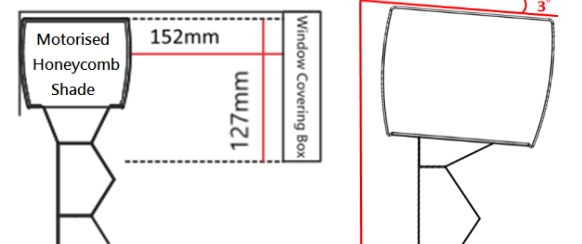


Step 1: Reserve Space before Installation

Battery-powered shade (MCS1-B) : with built-in Li-ion battery pack and charging accessories.

IMPORTANT! Please reserve a space of maximum height 127mm and minimum depth 152mm for connecting the PowerBar before you install this model.

IMPORTANT! Please mount the shade bracket horizontally and ensure the installation is not defective, or it may fail to charge the shade with a PowerBar. The shade system installation allows a Maximum 3° tolerance of deflection.

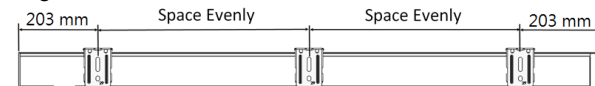


AC-powered shade : with Power Adapter to plug in an electrical outlet. Make sure a proper accessibility to an electrical outlet.

IMPORTANT! Wiring and servicing of these products should be referred to qualified personnel.

Step 2: Bracket Installation

Measure 203mm from both ends of the head rail. Mark the bracket location on the mounting surface. Proper alignment of brackets will make installation easier.



Inside Mount
For all cell sizes, allocate a minimum distance (L1) from wall to the front of brackets.

Distance	Application Condition
L1 ≥ 4mm	· With light guard front and back
L1 ≥ 2mm	· Without light guard, & with light guard at back

Use two 38mm installation screws to secure brackets. Use wall anchors for drywall or plaster wall.

Outside Mount

- For all cell sizes, allocate a minimum distance of 1mm (L2) from wall to the bottom of brackets as right drawing.
- Use two 38mm installation screws to secure brackets. Use wall anchors for drywall or plaster wall.

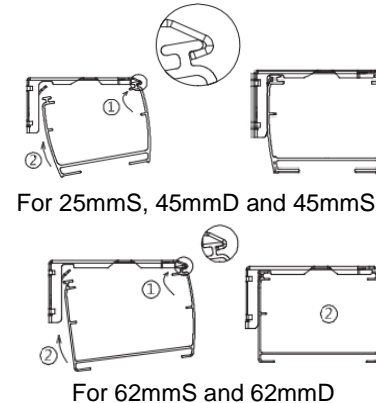
Note: If spacer block is required, please follow the following guide:
Up to 2 sets of spacer block are used to extend the bracket, please always make sure the raised side of the spacer block is against the bracket. Mount the combination of the bracket and 1 set spacer blocks with two 38mm screws, for two sets spacer blocks use two 50mm screws.



Step 3: Install the Shade

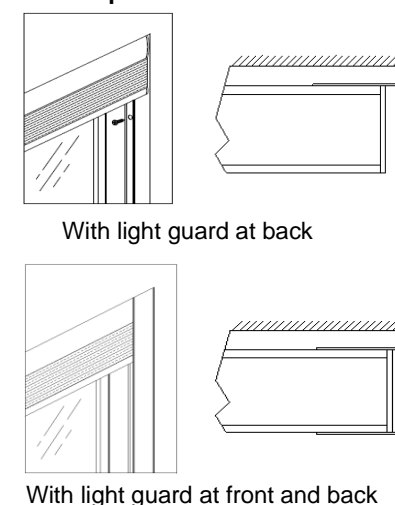
Position head rail at an angle so that it is hooked to the front of the bracket. Then push it upward at the back to snap into the bracket.

IMPORTANT! For proper installation, start with attaching the front of the headrail to the bracket.



Step 4: Install Light Guard (optional for IM)

Please install the light guard after installation of the shade is completed.



a. The light guard is to be placed at back or front of the shade at left & right side.

Place the light guard vertically towards the bottom window frame. To avoid scraping, leave a 2mm gap between fabric stack and light guard. And then mark out the location with a pencil.

Remove the double sided tapes on the narrow side of the light guard and carefully paste the light guard to

the window frame in position.

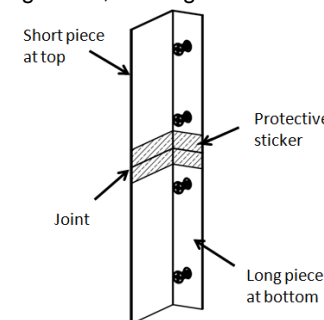
b. For better fixing the light guard to the window, use 18.5mm flat head screw to secure the light guard through the pre-drilled hole.

c. When light guard length (L) > 2438mm, light guard will be sliced into 2 pieces. There are two conditions as listed below.

Light guard length (L)	Short piece Light Guard Length	Long piece Light Guard Length
2438mm < L ≤ 3048mm	610mm	L-610mm
L > 3048mm	L-2438mm	2438mm

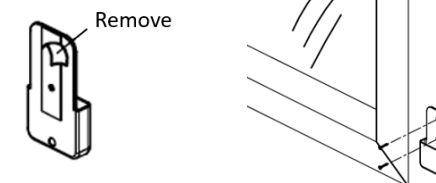
When light guard sliced into 2pcs, firstly paste the longer piece of light guard vertically towards the bottom window frame, and paste the shorter piece of light guard above the longer one, the edges must be carefully aligned.

To avoid the edges from scraping the fabric, use the protective sticker to completely cover the joint of the two pieces of light guard on both front and back sides of light guard as diagram on the right.



Step 5: Install Remote Holder for Remote

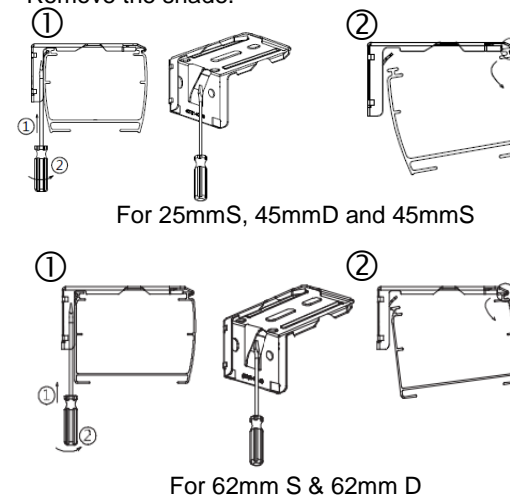
Remove the double sided tapes on the back of the remote holder, and paste the remote holder to the desired place if needed. For better fixing, use two screws to secure the remote holder through the pre-drilled holes on the remote holder.



★ Remove the Shade

IMPORTANT! Please fully raise the shade before removing the shade.

- Use a flat screwdriver to insert into the center of the bracket to push up the flip on the bracket.
- While pushing upwards, gently swing the screwdriver forward to pry the bracket off the head rail.
- Remove the shade.

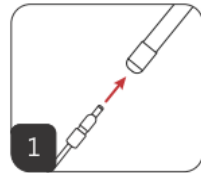


★ Charge the Shade (MCS1-B)

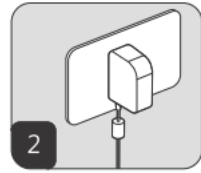
⚠ WARNING

- Please **DO NOT** operate the shade or swing the PowerBar while charging.
- Please recharge your shade every 3-6 months to ensure optimal performance of batteries.
- Please only use 36W AC Adapter included with this product. If using the extension cable, please **DO NOT** bend or twist the cable to avoid product damage or raise safety concerns.
- Please charge the shade before use!
- For Cordless PowerBar (PB-01S), please **DO NOT** use it to charge the shade while it is being charged/plugged into the outlet.

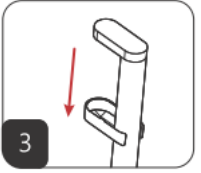
Charge the Shade by Corded PowerBar (PB-02 without Battery)



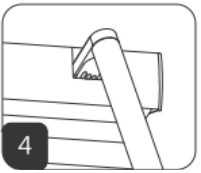
1 Plug the DC Connector of adapter into the PowerBar



2 Plug the 36W AC Adapter securely into wall outlet

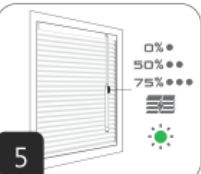


3 Remove Dust Cover from PowerBar

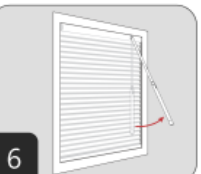


4 Align and insert the Charging Connector and the Charging port to charge the shade

WARNING! DO NOT releasing the Corded PowerBar before making sure it is inserted securely to avoid damage or personal injury caused by falling.



5 When the green light of power meter of shade started flashing, it indicates it's charging. When the shade is fully charged, the green light stays on and stops flashing



6 After charging, detach and disconnect the PowerBar, and lift it slightly and then remove it from the shade

After charging, please reserve the 36W AC Adapter. Extension cables, PowerBar and other accessories for next use.

Charge the Shade by Cordless PowerBar (PB-01S with Battery)

Repeat the same step 3 ~ 6 of the section "Charge the Shade by Corded PowerBar (PB-02)" to charge the shade.

After charging, please recharge Cordless PowerBar (PB-01S) for next use.

★ Shade Operation

For shade model# MCS1-A for AC adapter, the shade will power on as soon as the power is connected.

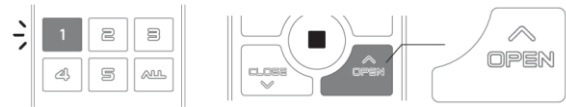
For shade model# MCS1-B for Battery, press and hold the shade button for 3 seconds and the green light will flash for power on before operation.



Press and hold the shade button for 3 seconds and the red light will flash for power off when necessary.

Operate the Shade by Remote Control

Select the group of the shade, press OPEN to move shade to fully open.



Select the group of the shade, press CLOSE to move shade to fully closed.



Select the group of the shade, press ^ or v to adjust shade location.



- : Stop the shade
- ▲ : Move to Best View
- ▲ : Move to Best Privacy
- ☆ : Move to My Favorite

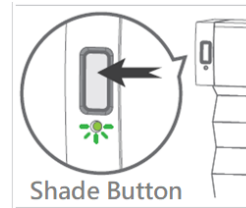
For detailed instruction of shade operation with remote, please refer to Remote Control Guide.

Operate the Shade by Shade Button

Press the button to move the shade downwards or upwards when the shade is still.

Press the button to stop the shade while the shade is in motion.

Press the button again to move the shade in the opposite direction.



One-Touch Function to Operate the Shade

When remote is out of reach, the shade can be operated by One-touch function.

Lift bottom rail to move the shade downwards or upwards when the shade is still.

Lift bottom rail to stop the shade while the shade is in motion.

Lift bottom rail again to move the shade to opposite direction.

★ Cleaning the Shade

Routine cleaning will help maintain the beauty of your shade. The shade can be cleaned by using a soft brush, vacuumed with a low suction hand-held vacuum, cleaned ultrasonically (specify that a mild solution must be used and that the head rail should never be immersed in liquid), or dampen a clean cloth with a warm water and mild detergent solution to dab the spot until it's gone (do not rub!).

⚠ Do not spray the liquid to the electric parts of the motorised shade.

★ Trouble Shooting

Problem	Possible Cause	Solution
No reaction upon operation	No Signal	Operate the shade by a Remote and check the LED indicator on the shade. Green light blinks: The shade receives signal normally. Red light blinks: Low battery / Over temperature limit Red/Green light blinks: Other problems No light: Not receiving signal / Not paired with a Remote / The shade is powered OFF.
	Low battery of Remote	Please check the Remote group lights works normally, or replace new batteries.
	Low battery of Shade, model# MCS1-B	Please use PowerBar to charge the shade.
The shade is not paired with the Remote	The shade is not paired with the Remote	Press and hold the paired group button, and check if the shade responds. Shade response as shift x1 means it has been paired. Shade no response means it need to be paired first. Please refer to Remote Control Guide for pair steps.
		The shade might be overheated when the LED indicator on shade blinks red during operation. Please wait at least 30 minutes and operate the shade again. Please refer to the specification for applicable operating temperature.
The limits are not fully setup.	The limits are not fully setup.	Press ▲/▲ on Remote to operate the shade and check if the shade LED blinks green and the shade works normally. If not, the shade limits might not be fully setup for full functionality, please refer to Remote Control Guide to set up shade limits again. IMPORTANT! Top and Bottom limits must be setup for full function of the shades.
		Re-power ON : Hold the shade button for 3 seconds to power ON/OFF the shade. If the problem still exists, please try "Hardware Reboot". Hardware reboot : Hold the shade button for 10 seconds until the red light illuminates and the shade will reboot. If the problem still exists, please contact your dealer for further assistance.
Limits Shift	Abnormal power failure	Abnormal power failure may cause a shift of limits, please refer to Remote Control Guide to set up limits again.
	Others	Please contact customer service for further assistance.

★ Safety Instructions for Lithium Batteries

The product may contain lithium-ion batteries; the battery contains flammable materials, such as organic solvents. Mishandling of the battery may cause fire, smoke, or explosion.

⚠ DANGER

Do not immerse the battery in any liquid, such as water, beverages, or other fluids.

Exposure to liquid may damage the battery or the battery pack. Damaging the battery may generate heat, smoke, catch fire, or explode.

Do not use or place the battery in or near an open flame, heater or high temperature areas (above 80°C), such as those near a microwave or other cooking appliance.

Subjecting the battery to high temperature or near electromagnetic radiation may damage the polyolefin separator and can cause short circuit. This may cause the battery to generate heat, smoke, catch fire, or explode.

About Charging: Do not use unauthorized chargers.

Only charge the battery within recommended conditions (e.g., temperature range, voltage, and current). Use of an unauthorized charger could cause the battery to generate heat, smoke, catch fire, or explode.

Do not attach or insert battery with polarity reversed.

If the battery does not easily fit into the charger or device, check the battery orientation. Do not force the battery into the compartment. If the battery is inserted incorrectly, the battery may generate heat, smoke, catch fire, or explode.

Do not connect the battery to an AC outlet or DC automotive plug.

The battery requires a specific charger. If the battery is connected directly to a power outlet, the battery may generate heat, smoke, catch fire, or explode.

Do not use the battery in equipment for which it was not intended.

If the battery is used in unapproved applications or systems, the battery may be damaged and generate heat, smoke, catch fire, or explode.

Keep the battery away from heat and fire.

Excessive heat will damage the battery and may cause it to generate smoke, catch fire, or explode.

Do not connect the positive (+) and negative (-) terminals with a conductive material.

Do not carry or store the battery with any metal objects. If the battery is shorted, it may overheat and the battery may generate heat, smoke, catch fire, or explode.

Avoid excessive impact to the battery.

Impact beyond specification may damage the battery. This may cause the battery to leak, generate heat, smoke, catch fire, or explode.

Do not penetrate the battery with any sharp object.

If subjected to a hard strike or penetrated by an object, the battery may be damaged, thereby causing the battery to short-circuit. This may cause the battery to generate heat, smoke, catch fire, or explode.

Do not directly solder to the battery.

Soldering directly to the battery could melt the separator, damage the fume release vent or other safety mechanisms. This may cause the battery to generate heat, smoke, catch fire, or explode.

Do not disassemble the battery.

Disassembly or modification of the battery may damage the protection circuit. This may cause the battery to generate heat, smoke, catch fire, or explode.

Do not charge the battery near high temperature.

If the battery is charged while exposed to high temperature, the battery's protection circuit may activate and prevent charging, or fail and cause the battery to generate heat, smoke, catch fire, or explode.

⚠ WARNING

Ingestion

Keep away from small children.

Keep the battery away from small children. If the battery or any of its component parts is swallowed, seek medical attention immediately.

Mixed Use

Do not mix with other batteries. The battery should not be used with other batteries having a different capacity, chemistry, or manufacturer. Doing so could cause the battery to generate heat, smoke, catch fire, or explode.

Rust, Discoloration and Deformities

Do not use abnormal batteries. Immediately stop using the battery if there are noticeable abnormalities, such as smell, heat, discoloration, or deformity. The battery may be defective and could generate heat, smoke, catch fire, or explode with continued use.

Charging Time

Stop charging if the charging process cannot be finished. If the battery cannot finish the charging process within the specified time, halt the charging process. The battery may generate heat, smoke, catch fire, or explode.

Leakage -1

Do not use a leaking battery near open flame. If the battery or liquid leaking from the battery has an irritating odor, the battery should be kept away from any open flame. If exposed to an open flame, the battery could ignite and explode.

Leakage -2

Do not touch a leaking battery. If liquid leaking from the battery gets into your eyes or makes contact with your skin, immediately flush your eyes or skin with clean water and seek medical attention. If left untreated, it will cause significant eye or skin damage.

Transport

Pack the battery securely for transport. To prevent short-circuit or damage during transport, securely pack the battery in a case or carton.

⚠ CAUTION

Exposure to Direct Sunlight

Do not use or leave the battery in a location exposed to excessive heat, such as in direct sunlight or in a car. Doing so could cause the battery to generate heat, smoke, catch fire, or explode. It may also cause the battery's performance and life to deteriorate.

Use with other Equipment or Power

The battery pack has a protection circuit. Do not use the battery with other equipment or power as it may damage the protection circuit. If the protection circuit fails, the battery may generate heat, catch fire, smoke, or explode.

Charging Temperature Range

Only charge the battery between 5°C and 35°C. Charging outside of this temperature range may cause the battery to leak, generate heat, or result in serious damage. It may also cause the battery's performance and life to deteriorate.

Charging Method

Read the user's manual for proper product charging method.

First Time Usage

Please contact the supplier if the battery gives off an unusual odor, generates heat, or shows signs of rust prior to its initial use.

Flammable Materials

Do not charge or discharge near flammable materials. Doing so could result in fire.

Handling of Exposed Contacts or Conductors

If the battery pack has a system interface consisting of stripped lead wires or exposed contact plates, handle with due care. Temporarily insulate exposed contacts and conductors with an insulator such as polypropylene tape or polyvinylchloride tape. Failure to do so could result in an electrical shock; a short circuit causing the battery to generate heat, smoke, catch fire, or explode; or the combustion of other materials.

Recycling

When disposing of the battery, recycle it according to local rules and regulations.

Norman Australia

20/14 Argyle Street, Albion QLD 4010
07 3256 1068

www.normanaustralia.com.au