

Portrait™ Honeycomb Shade Specifications

SmartFit™ Shades

SmartFit™

SmartFit™ is an innovative shade application, engineered to provide flexibility in light and privacy control, while eliminating cords in the centre of the shade. SmartFit™ shades are available in all fabric types and, depending on the application type chosen, 9.5mm single, 9.5mm double and 19.1mm single cell sizes. The 9.5mm double and 19.1mm single cell sized shades are also supplied with an aluminium cover for added light blocking.

The SmartFit™ design allows the shade to be mounted with 1mm-3mm clearance gaps to minimize light leakage and maximize privacy. When the shade is fully extended, the hardware is completely concealed for a sleek and contemporary look and is fitted with an adjustable tension system to ensure consistent and long-term shade performance. This shade can be drawn completely to the top or bottom of the opening, or anywhere in between.

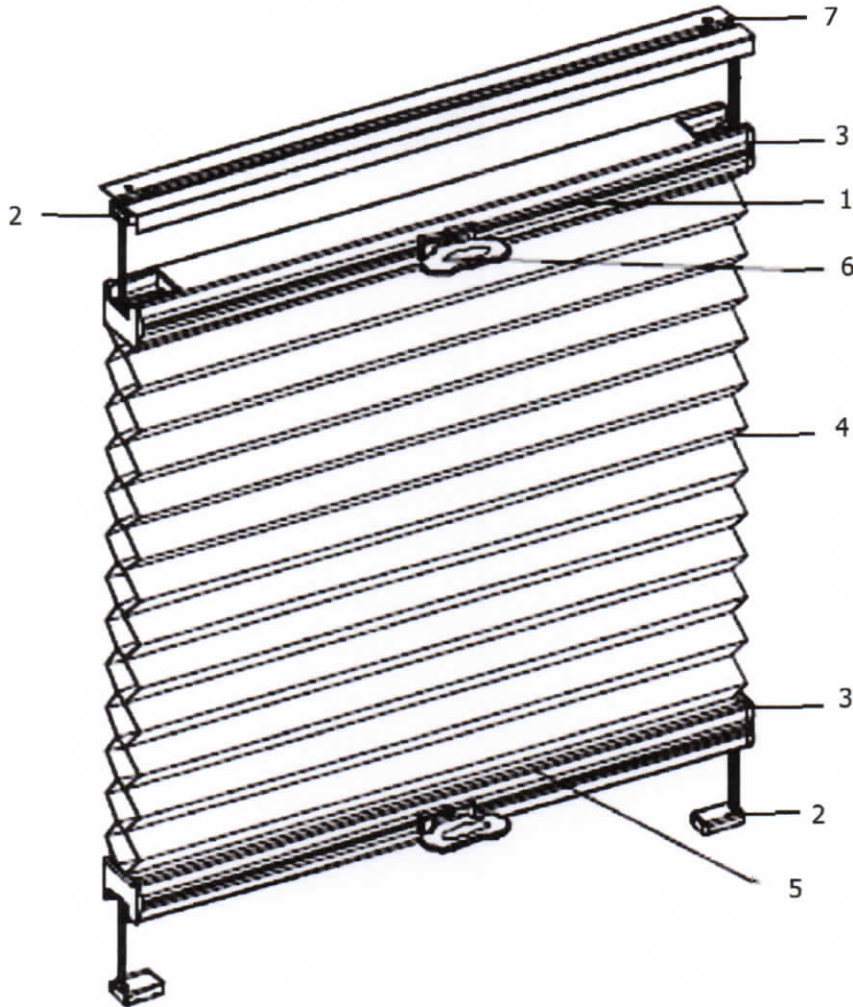


SmartFit™

Portrait[™] Honeycomb Shade Specifications

SmartFit[™] Shades

Parts of a 25mm Standard SmartFit[™] Shade Model A Pictured



Part #	Item	Features	Part #	Item	Features
1	Headrail	A sleek space saving profile colour coordinated to fabric	5	Bottom Rail	Light and sturdy aluminium rail
2	Installation Bracket Base & Cover	Creates tension in the cord so the shade operates correctly	6	Handle	Clear plastic handle for ease of raising or lowering shade
3	End Cap for Headrail and Bottom Rail	Colour coordinated flush mount design	7	Aluminium Cover	Provides extra light blocking at the top of the opening
4	Blanket	Superior energy efficiency and sound absorption			

Portrait™ Honeycomb Shade Specifications

SmartFit™ Shades

Size Standards

The height and width of the shade can be varied within these ranges, as long as it doesn't exceed the maximum size and does not exceed the maximum square metres permitted. All measurements are in millimetres.

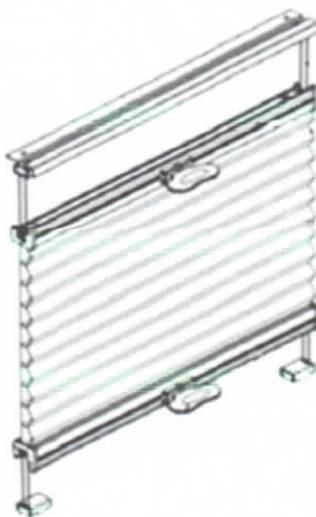
SmartFit™			
	Min	Max	Area
25mm Models A & B, 38mm and 45mm			
Width	220	1800	3.96m ²
Height	150	2200	

Styles of SmartFit™ Shades

A number of models are available for SmartFit™ shades, and can be selected depending on the angle of the window and the size of the shade required. The following information can be used to assist with choosing the correct shade type for each different application:

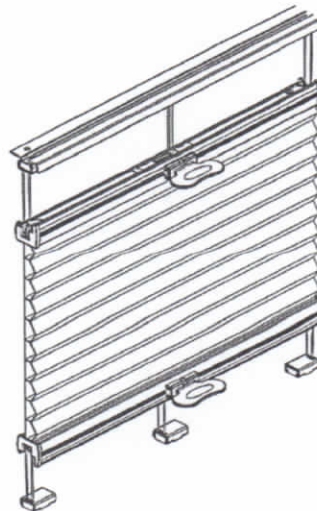
25mm Model A

Max Width 1270mm
Max Height 2200mm
Max SQM 2.79m²



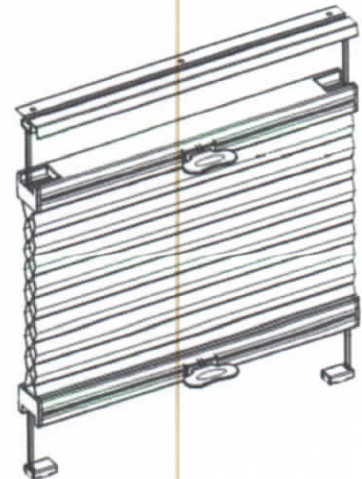
25mm Model B

Max Width 1800mm
Max Height 2200mm
Max SQM 3.96m²



38mm & 45mm

Max Width 1800mm
Max Height 2200mm
Max SQM 3.96m²



* Please note that when using Fire Retardant fabric the maximum shade width is 1524mm and the maximum area is 3.3m².