

Portrait[™] Honeycomb Shade Specifications

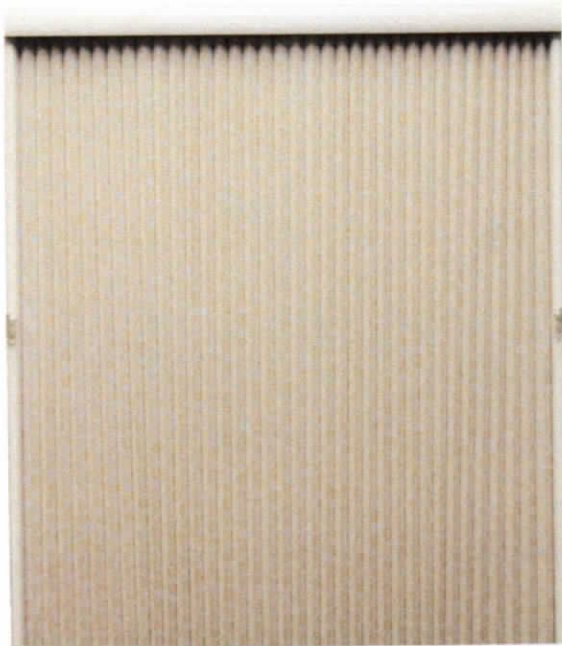
Vertical Shades

Patio Door Vertical

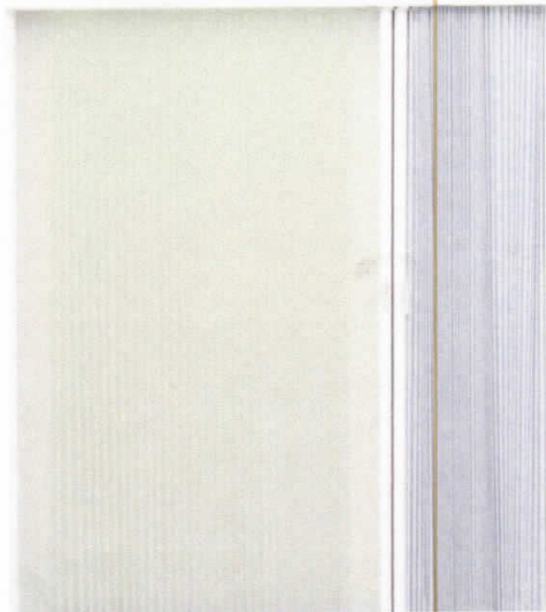
Vertical shades retain the style, simplicity and elegance of a traditional honeycomb shade while providing a functional option for sliding doors and windows. With Left or Right Stack, Split Stack or Travelling Centre Stack, Day&Night shade, as well as a left and right stack side by side option; this shade is extremely versatile in its application possibilities.

Available as a 19.1mm single cell or a 31.7mm single cell, in most fabric types, the vertical shade will complement other window coverings in the home.

The Day&Night vertical is supplied with a Sheer fabric on the left as standard, with the option of Room Darkening (default), Light Filtering, Semi Opaque or Designer fabric on the right. The Sheer fabric is available on the right if requested. Fire Retardant fabric will be supplied on the left, with Sheer fabric on the right. The cord colour will be supplied to match the Sheer fabric while the rail colour will match the other fabric selected for the item.



Centre Stack Vertical

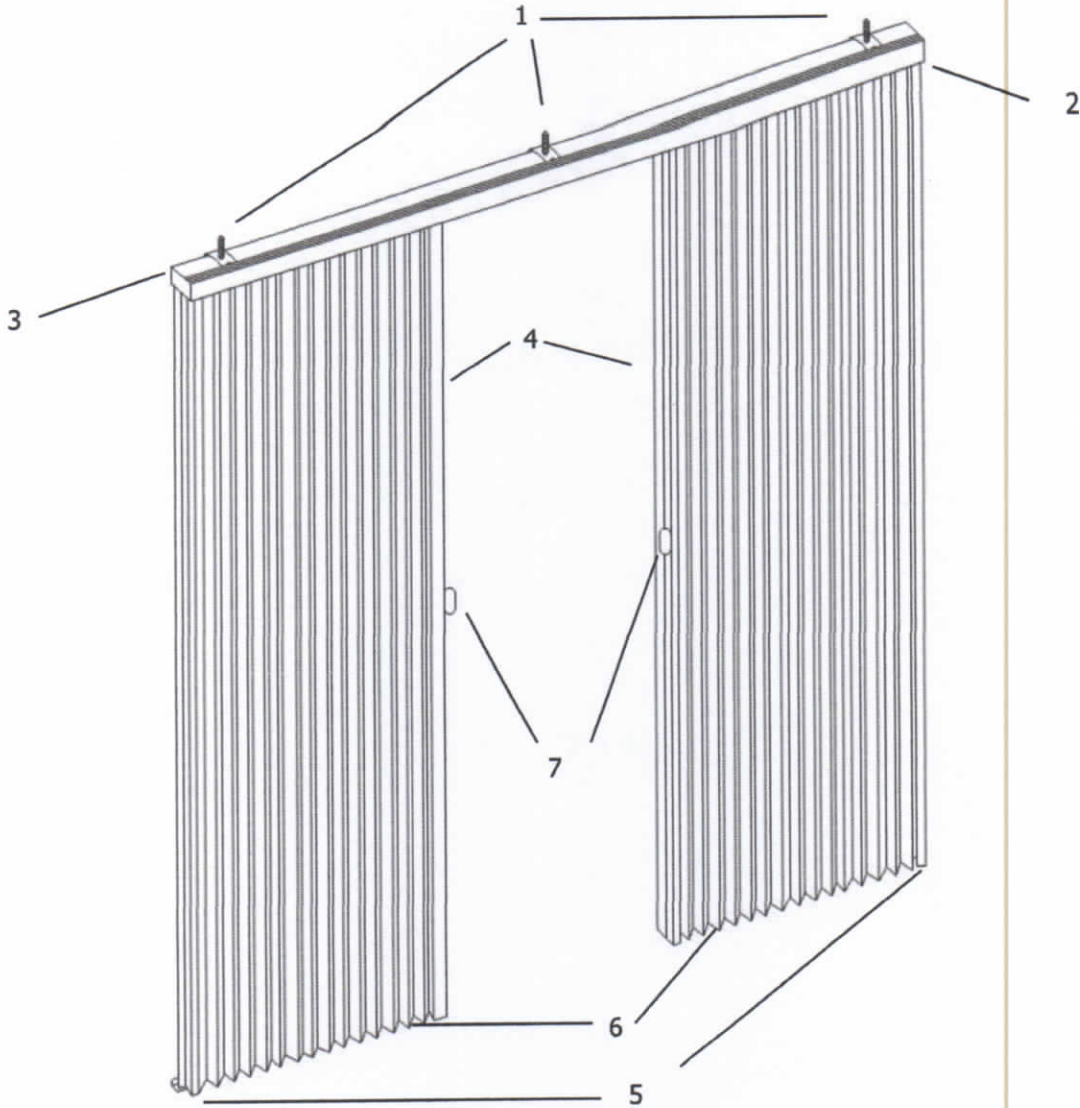


Day&Night Vertical

Portrait™ Honeycomb Shade Specifications

Vertical Shades

Parts of a Vertical Shade



Part #	Item	Features	Part #	Item	Features
1	Installation Bracket	Universal mounting bracket for ease of installation	5	Vertical Rail (Unmoveable)	Fixed rail on stack side of shade
2	Headrail	A sleek space saving profile colour coordinated to fabric	6	Blanket	Superior energy efficiency and sound absorption
3	End Cap for Headrail	Colour coordinated flush mount design	7	Handle	Clear plastic handle for ease of raising or lowering shade
4	Vertical Rail (Moveable)	Adjustable rail for opening/closing of shade			

Portrait™ Honeycomb Shade Specifications

Vertical Shades

Styles of Vertical Shades



Left Stack



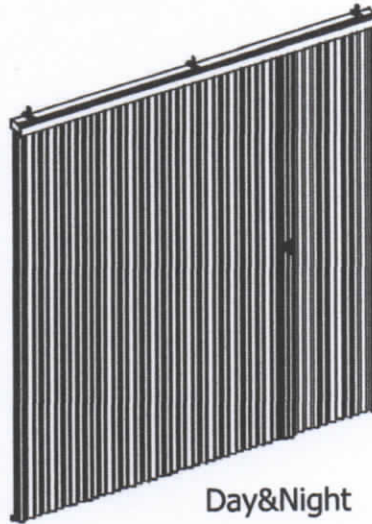
Right Stack



Travelling Centre Stack



Split Stack

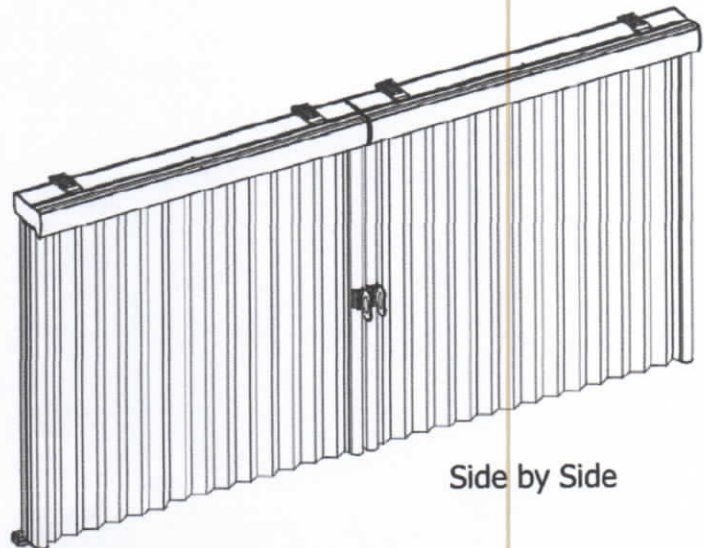


Day&Night

For Day&Night Verticals, two middle rails are supplied and these separate as a split stack as well as having the standard functionality of a Day&Night shade

For Split Stack Verticals, the two sides will be supplied at the same width as standard. If uneven widths are required, please request this on your order form

Side by Side shades are comprised of a left stack shade and a right stack shade and these are butted together. Thicker magnet strips are placed on the moving rails in the center to avoid light gaps. The left stack shade should be installed on the left and the right stack shade on the right.



Side by Side

Portrait[™] Honeycomb Shade Specifications

Vertical Shades

Sizing Standards

The maximum and minimum shade sizes vary considerably, based on the type of shade and its function. This ensures that the shade works correctly and remains in working order for years to come.

The height and width of the shade can be varied within these ranges, as long as it doesn't exceed the maximum size and does not exceed the maximum square metres permitted. All measurements are in millimetres.

Vertical			
	Min	Max	Area
	Standard & Day&Night		
Width	750	3700	11.1m ²
Height	600	3000	

Portrait[™] Honeycomb Shade Specifications

Vertical Shades

Reveal Depth Requirements

Reveal depths should be adhered to in order to ensure that the shade will fit within the window reveal.

Shade Type	Patio Door Vertical & Vertical Day&Night	
Cell Size	19.1mm Single	31.7mm Single Cell
Minimum Mounting Depth Required for Inside Mount	a - 77mm b - 70mm c - 65mm d - min. 13mm	a - 39mm b - 70mm c - 65mm d - min 13mm
Drawings to show Reveal Depth	